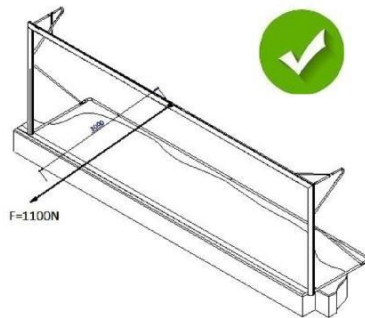
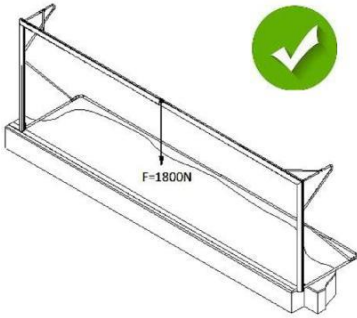


7.32 x 2.44 m



CONFORME ALLA NORMA

EN 748:2013

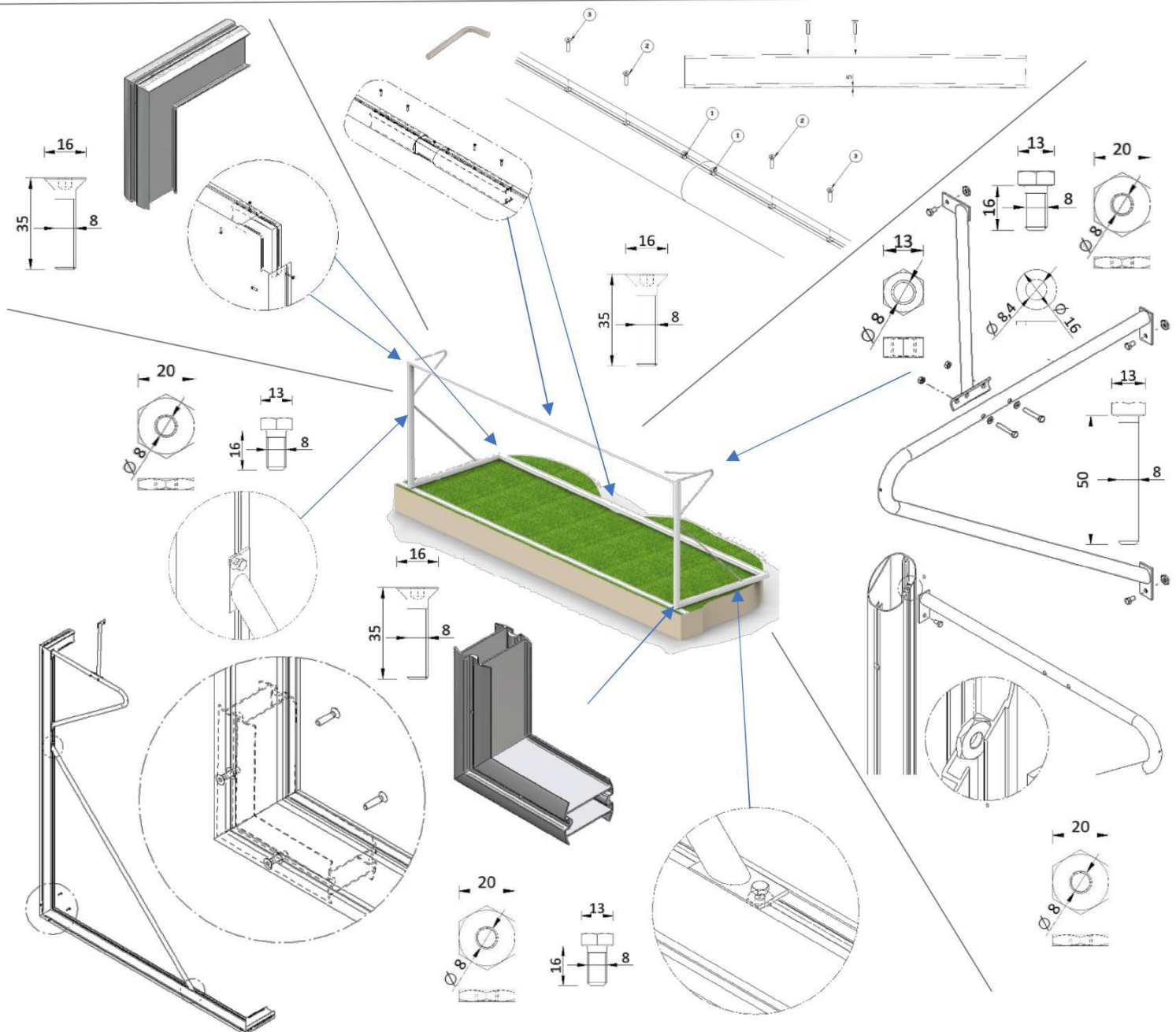
COMPLIES WITH

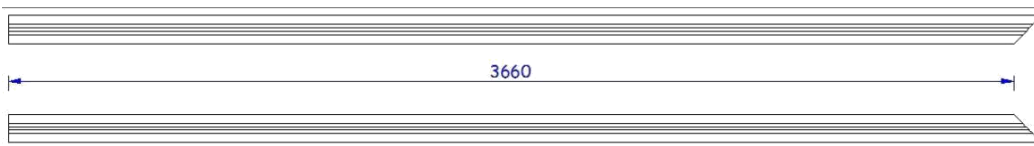
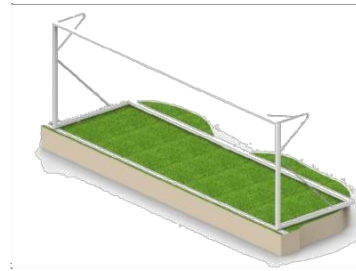
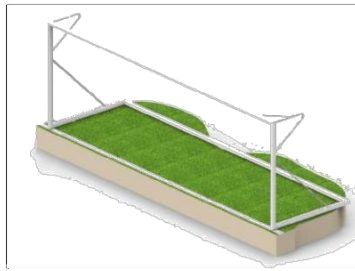
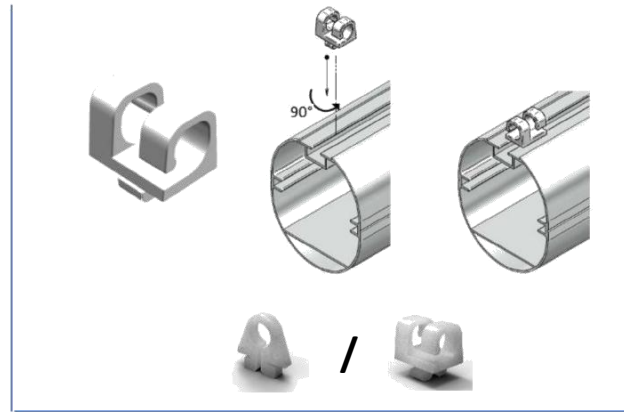
CONFORME À LA NORME

ENTSPRICHT DER NORM

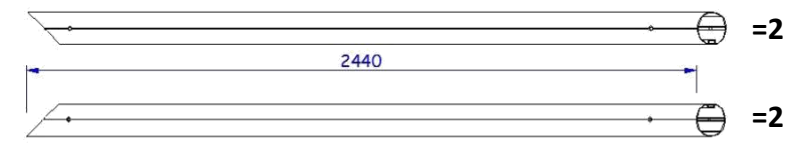


EN 748:2013 taglie/sizes/tailles/größen
7.32 x 2.44 m – 5.00 x 2.00 m



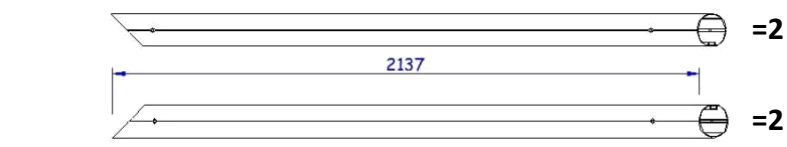


=4



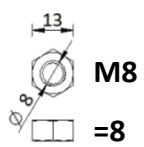
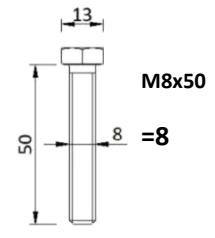
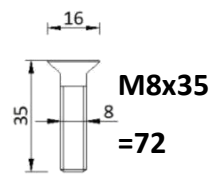
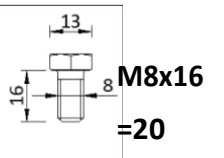
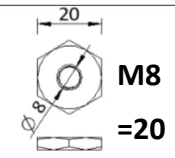
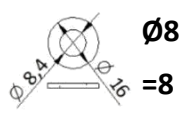
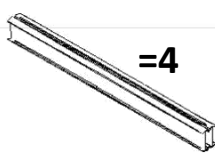
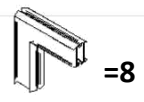
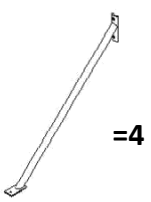
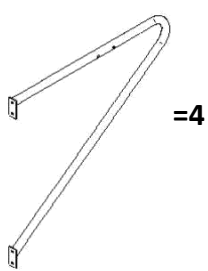
=2

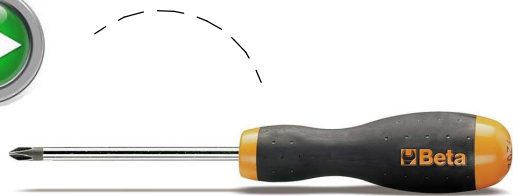
=2

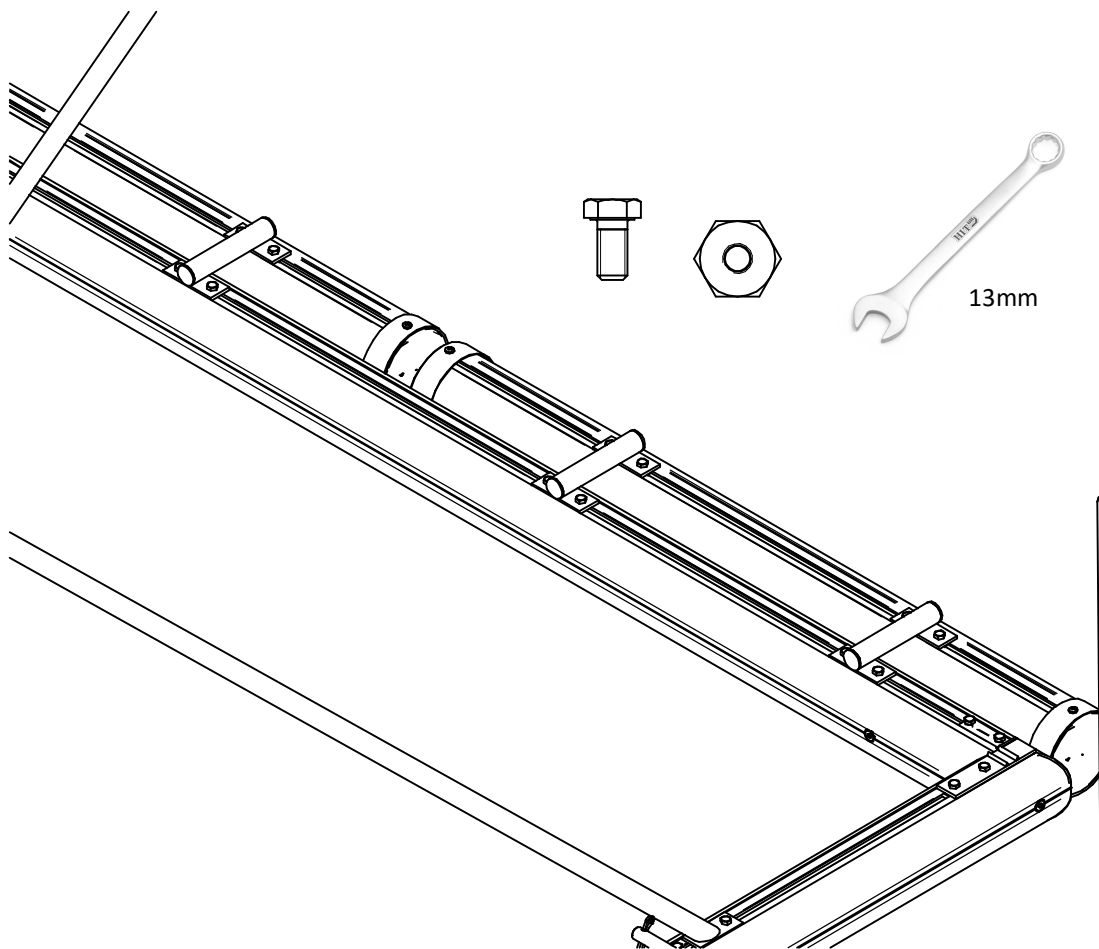
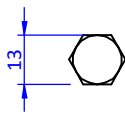
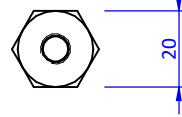
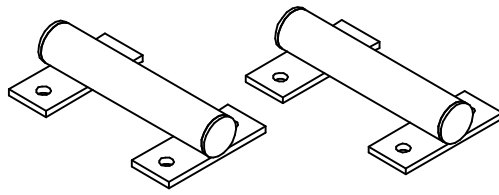
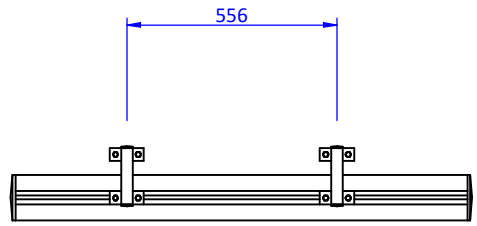
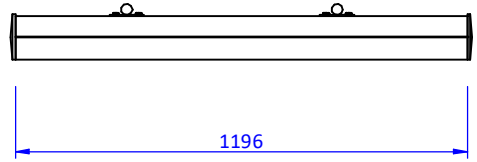


=2

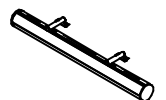
=2

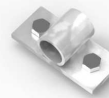
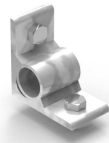




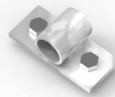


7.32 x 2.44 = 6

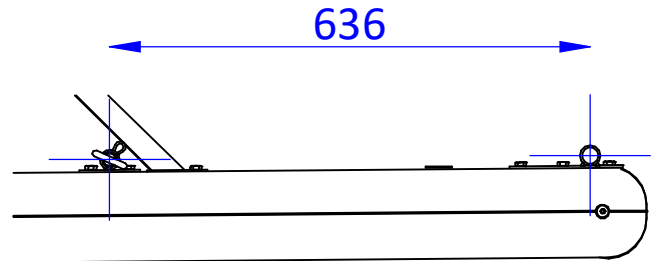
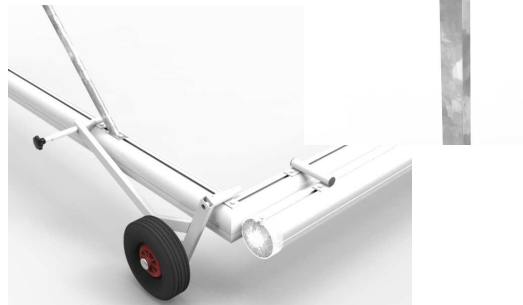
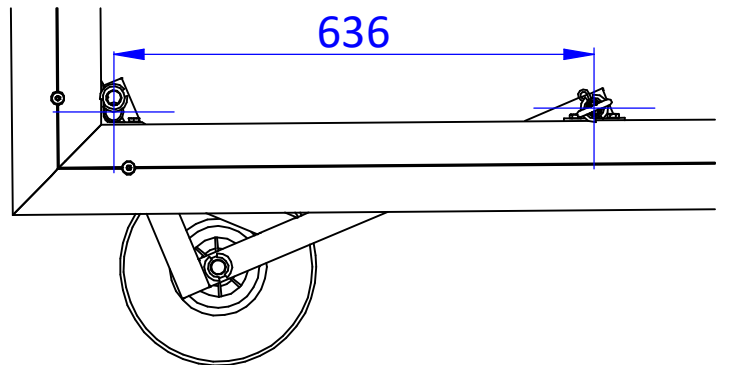
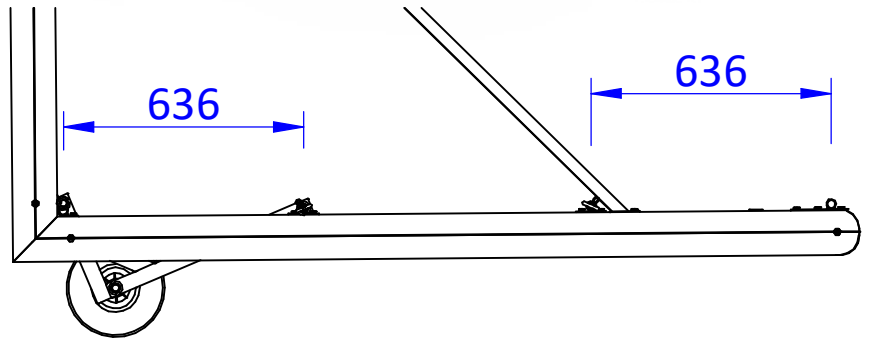




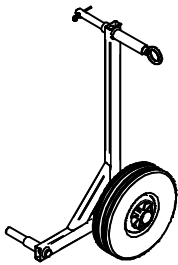
13mm



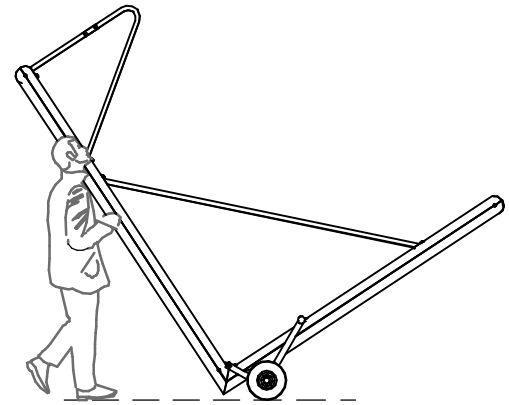
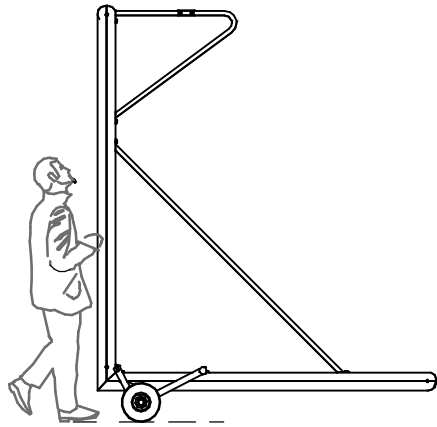
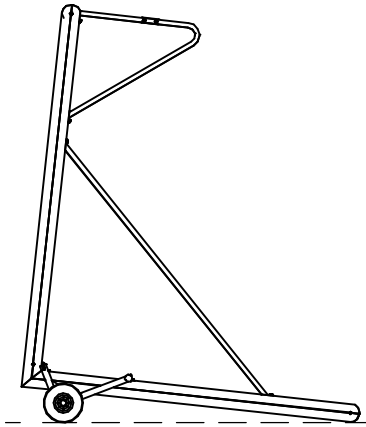
13mm



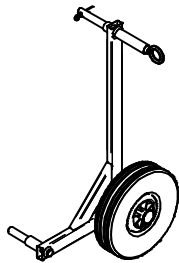
Sol.



x2



Sol.



x4

